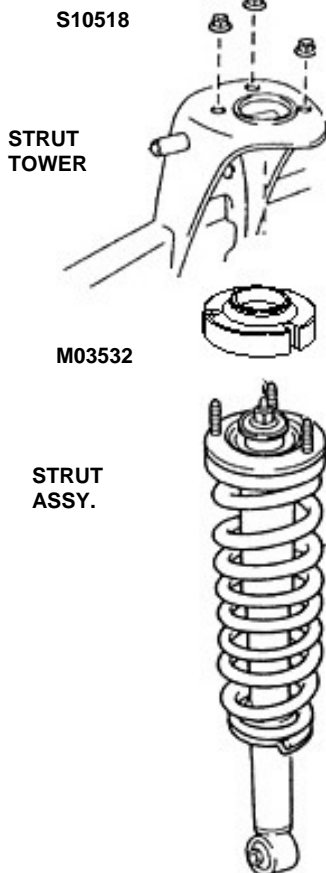


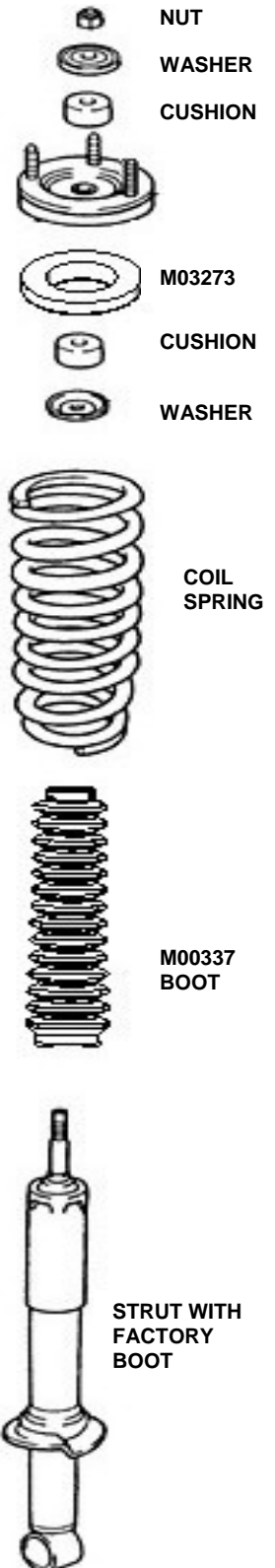
KT09115 2003-06 4-Runner 2WD & 4WD & X-REAS Suspension 2 1/2" Front Coil Spring Spacer Lift Kit With Rear Coil Spring Spacers

Bill Of Material		
Part No.	Description	Qty.
M03112	Bump-stop	2
M00337	Shock/Strut Boot	4
M03532	Coil Spring Spacer	2
M03273	Coil Spring Isolator	2
M03531	Rear Coil Spring Spacers	2

Bill Of Material		
Part No.	Description	Qty.
S10762	M10-1.25X 50mm Stud	6
S10518	10mm Nylock Nut	6
P01055	Cable Tie	4
P10027	Grease Pack	2



MOUNTING PLATE



INSTALLATION INSTRUCTIONS FRONT

1. Read complete instructions before beginning installation, the following special tools are recommended: Coil spring compressor, floor jack, ball joint separator, jack stands, bench vise, and metric hand tools.
2. Lift the vehicle with the jack in the center of the front cross member.
3. Support the vehicle by placing jack stands on the frame cross member so that the front tire/wheels are off the ground.
4. Remove the front tires/wheels.
5. Disconnect the sway bar end link nut on the spindle and remove the upper ball joint cotter pin and nut.
6. Separate the upper ball joint from the spindle. (Using ball joint separator or a suitable tool, be careful NOT to damage the ball joint boot)
7. Remove upper strut tower nuts holding strut assembly to strut tower (3) on each side of vehicle.
8. Remove the lower strut bolt from the lower control arm and remove the strut assembly from the vehicle. (Note the direction of the bolt for reinstallation)
9. When installing front kit you will need to compress the strut in the wheel well. **DO NOT disconnect the line that goes to the struts or the rear shocks**
10. You will need to use a rod style spring compressor
11. Compress the coil spring on the strut assembly with a suitable coil spring compressor so that the coil spring has about 3/8" play in the strut and remove the upper strut isolator mount nut.
12. Remove the compressed coil spring assembly and dust boot from the strut.
13. Install the supplied strut boot onto the lower factory stem cushion washer. (optional)
14. Remove the coil spring isolator from the upper strut mounting plate.
15. Replace the upper strut mounting plate studs with the supplied 10mm longer studs S10762 with a bench vise and a deep well socket. (3 on each side)
16. Install the supplied coil spring isolator MO3273 to the upper strut mounting plate.
17. Reinstall the compressed coil spring onto the strut assembly and re-attach the upper strut mount plate using the stock hardware. See diagram. Torque upper strut mounting plate nut to 18 foot-pounds.
18. Decompress the coil spring in the strut assembly. Make sure that the spring is seated correctly into the strut assembly alignment indentation at the bottom of the strut and the top isolator.
19. Slide the coil spring spacer M03532 onto the top of the strut assembly over the 10mm studs.
20. Install the strut assembly into the strut tower and start the upper three 10mm lock nuts S10518. (Make sure that the bottom of the strut is aligned as well)
21. Install the lower strut bolt in the original position and torque to 100 foot-pounds. (Step 8)
22. Using the floor jack, raise the lower control arm and connect the upper ball joint on the upper control arm to the spindle. Torque nut to 80 ft lbs. and make sure that you replace the cotter pin. (Not supplied)
23. Reconnect the sway bar end links.
24. Remove and replace the bump-stops with a pair of Channellocks. (optional)
25. Install the front tires/wheels.
26. Lower the vehicle onto the ground and tighten the upper strut tower 10mm nuts S10518. Torque to 35 foot-pounds. (3 on each side)
27. Do wheel alignment after installing kit
28. RETORQUE ALL BOLTS AFTER 500 MILES.

INSTALLATION INSTRUCTIONS REAR

1. Jack up rear end and place jack stands under frame allowing rear suspension to move up and down freely.
2. Disconnect lower shock mount bolts/nuts so that the rear axle droops and the coil springs become loose.
3. Disconnect the panhard bar at the driver's side of the axle.
4. Remove the coil spring and the coil spring isolator/bump-stop.
5. Place the isolator/bump-stop into the new coil spring spacer and then onto the frame. Reinstall the coil spring in between the coil spring spacer and the axle. (Note: you may have to pry the coil spring onto the axle pad.)
6. Jack up the rear suspension so that the coil spring seats into the coil spring spacer and on the axle pad. Reconnect the lower shocks mount bolts/nuts and reconnect the panhard bar.
7. Jack up the rear of the vehicle, remove the jack stands and lower the vehicle. Check all bolts/nuts for tightness and recheck after 500 miles.



WARNING

This vehicle has been modified to enhance its performance. The steering, braking and handling of this vehicle will differ from standard passenger cars and trucks. This vehicle handles differently from an ordinary vehicle in driving conditions which may occur on streets, highways and off road. Avoid unnecessary abrupt maneuvers, sudden stops, sharp turns and other driving conditions that could cause loss of control, possibly leading to a roll over or other accident that could result in serious injury or death to driver and passengers. If larger tires are installed the speedometer will read lower than the vehicles actual speed.

DRIVE WITH CARE, REDUCE SPEED AND WEAR SEAT BELTS AT ALL TIMES.

This kit should be installed by a professional mechanic