



**KJ09132 - Grand Cherokee/Commander 2" Lift
WK Platform 2005-UP, XK Platform 2006-UP**



Shown above: 285/35R22 Tires with 30MM offset and 9in wide wheel.

www.DaystarWeb.com

Tech Support: Tech@DaystarWeb.com

Phone: 623.907.0081 / Fax: 623.907.0088

841 South 71st Avenue; Phoenix, AZ 85043

Tools required
Description:
Standard sockets, hand tools Etc.
Wall mounted spring compressor Recommended
Rod-style spring compressor
Ball joint separator
Hydraulic Lift is Recommended
Bench Vise

Bill of Materials		
Part #	Description	Qty
M03648	Coil Spring Spacer; Lower Front	2
M03649	Concentric Spacer; Lower Front	2
M03650	Coil Spring Isolator; Upper Front	2
M03651	Coil Spring Spacer; Upper Rear	2
M03672	Stem Cushion	4
S10976	Strut mount	2
S10138	Washer	4

INSTALLATION INSTRUCTIONS

1. Read instructions completely, verify bill of materials and determine if you have the correct tools before beginning installation.
 2. Disconnect negative battery cable.
- Front Installation**
3. On the passenger's side: Remove the coolant reservoir mounting bolts and move the coolant reservoir off to the side. Remove upper passenger's side shock mounting nuts
 4. On the driver's side: Remove the three nuts to the power distribution center. Remove upper driver's side shock mounting nuts
 5. Raise vehicle until front tires are clear, support the vehicle.
 6. Remove the front tire and wheel assembly
 7. Remove the lower stabilizer link bolt and move sway-bar assembly out of way.
 8. Pull ABS sensor wire from the spindle and tie it up to keep it from getting damaged. (See Fig. 1)
 9. Remove the upper ball joint nut.
 10. Separate the upper ball joint from the spindle.
 11. Remove the shock absorber clevis bracket bolt.
 12. Remove the strut assembly.
 13. Mark each strut assembly orientation so that they can be reassembled easily.
 14. Compress the strut assembly with a wall mounted coil spring compressor so that the coil spring has about 1/2" play in the strut and remove the upper strut isolator mount nut. (See Fig. 2)
 15. Pop the OE bolts out of the upper shock mount and press them back into the S10976. (See Fig. 3)
 16. Reassemble the strut. Check the diagram 1-EXPLODED STRUT and 2-CUT-AWAY STRUT on page 3.
 17. Install the struts back into place and install everything from steps 11 to 3.
- Rear Installation**
18. Remove the rear tire and wheel assembly
 19. Remove rear sway-bar bolt and swing the bar and linkage out of the way. Remove the rear upper shock bolts and move the shocks clear of the way.
 20. While the axle is still supported, remove the upper driver's side control arm. Lower the axle slowly until the springs can be removed.
 21. Remove the spring from the passenger's side of the vehicle. Pull the jounce bumper, the OE upper isolator and take out the jounce bumper cup.
 22. Insert the jounce bumper cup into the upper coil Isolator and bolt the two into place. Put jounce bumper and spring back. (See Fig. 4, 5)
 23. Remove the Driver's side rear spring. **Note:** the rod-style spring compressor may make removal and installation possible.
 24. Install the Coil spacer and jounce bumper cup.
 25. Place the jounce bumper inside the coil spring right-side up and install the spring.
 26. Install the sway-bar, shock absorbers and rear wheels.
 27. Torque all bolts to factory specs and check after 50 miles.





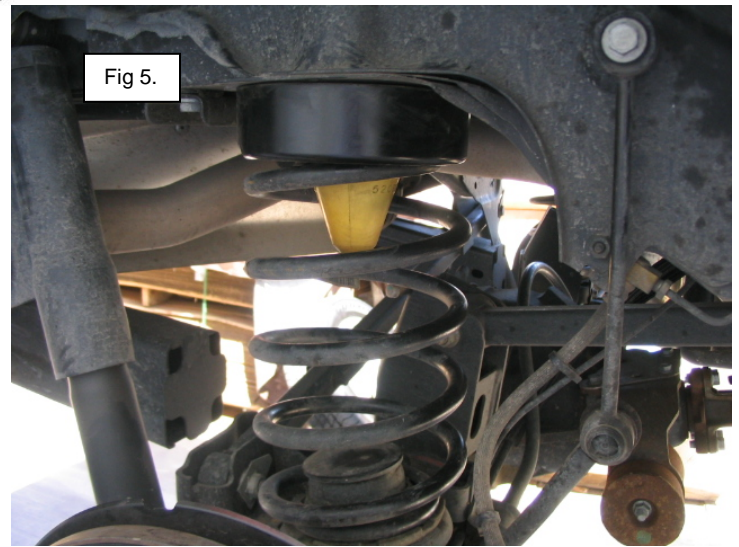
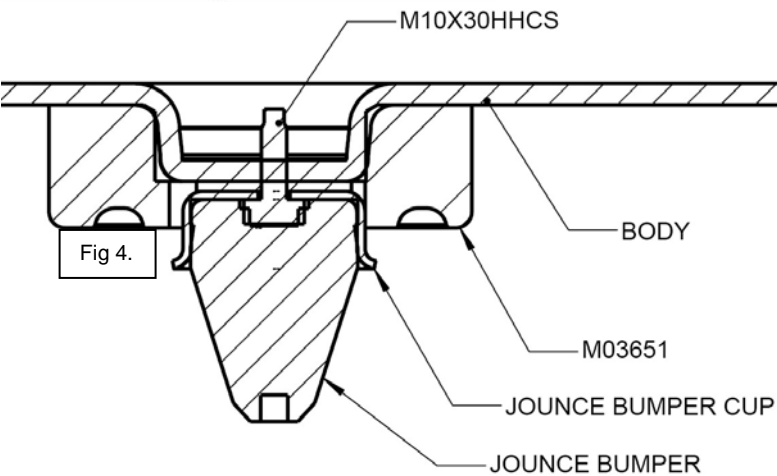
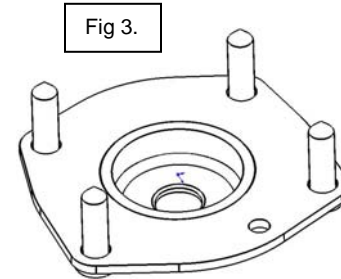
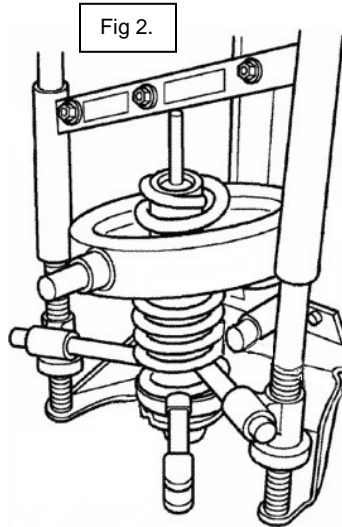
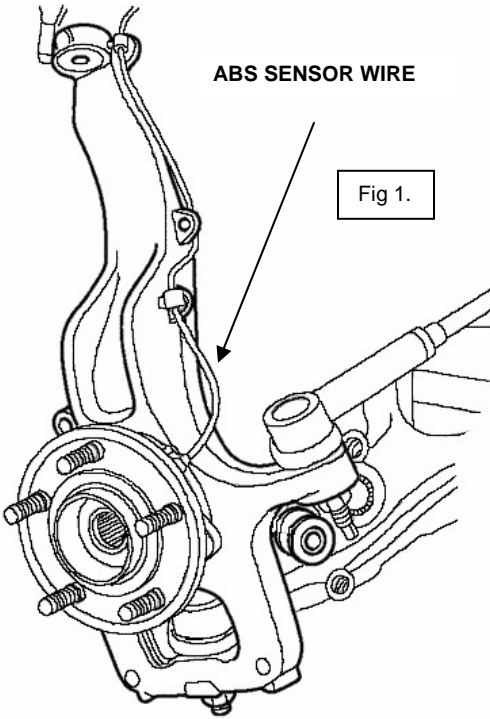
**KJ09132 - Grand Cherokee/Commander 2" Lift
WK Platform 2005-UP, XK Platform 2006-UP**

www.DaystarWeb.com

Tech Support: Tech@DaystarWeb.com

Phone: 623.907.0081 / Fax: 623.907.0088

841 South 71st Avenue; Phoenix, AZ 85043



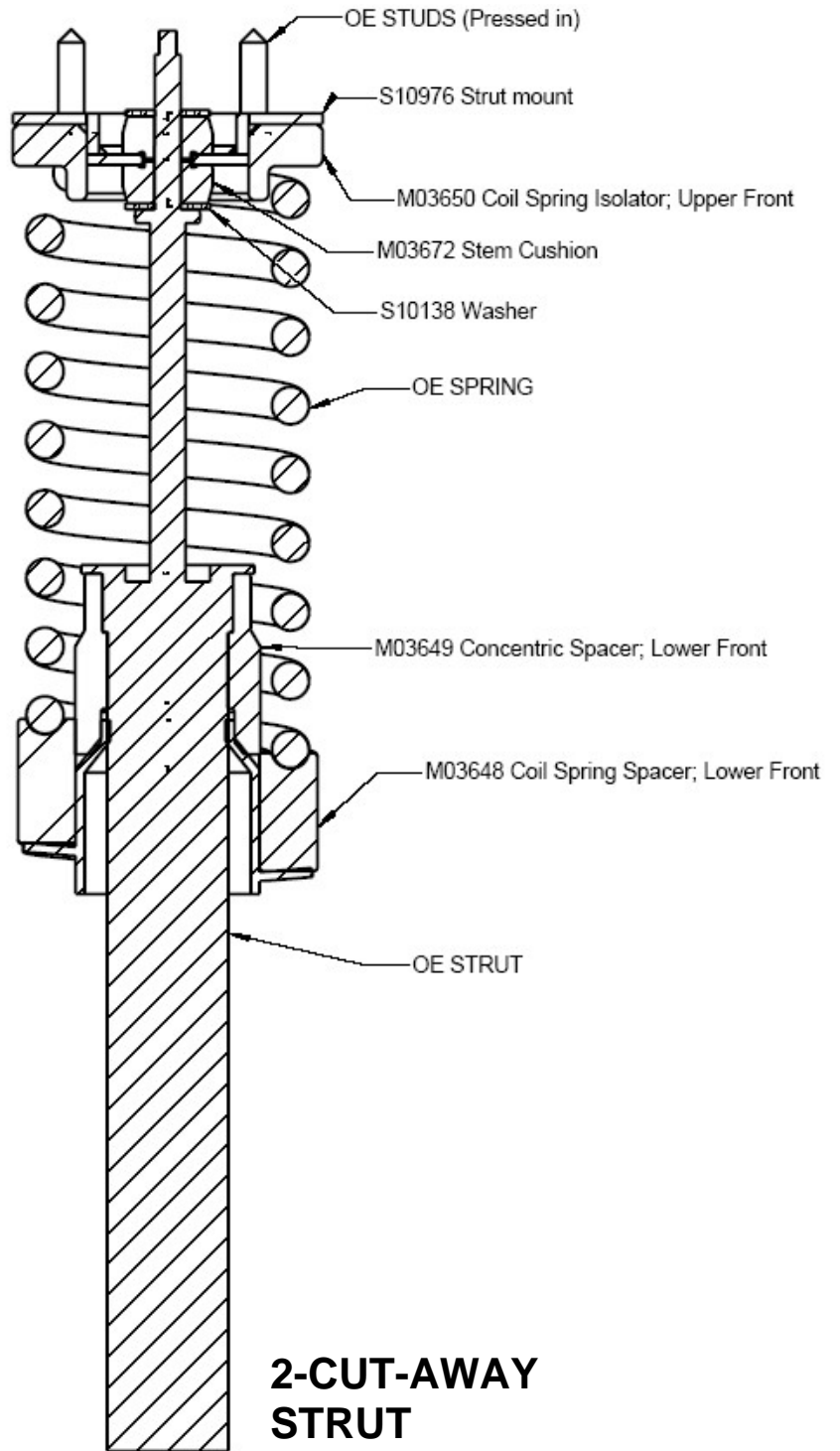
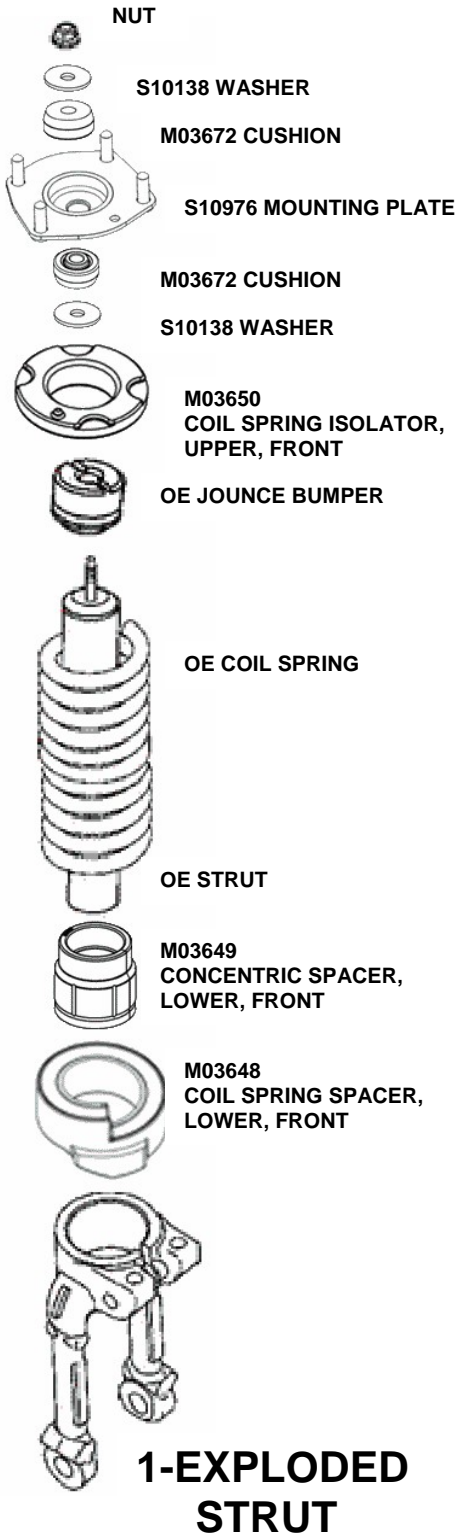
(Continued on back)





KJ09132 - Grand Cherokee/Commander 2" Lift
WK Platform 2005-UP, XK Platform 2006-UP

www.DaystarWeb.com
Tech Support: Tech@DaystarWeb.com
Phone: 623.907.0081 / Fax: 623.907.0088
841 South 71st Avenue; Phoenix, AZ 85043





**KJ09132 - Grand Cherokee/Commander 2" Lift
WK Platform 2005-UP, XK Platform 2006-UP**

www.DaystarWeb.com
Tech Support: Tech@DaystarWeb.com
Phone: 623.907.0081 / Fax: 623.907.0088
841 South 71st Avenue; Phoenix, AZ 85043

ALIGNMENT SPECS (BOTH WK AND XK)

FRONT AXLE	SPECIFICATION		
PREFERRED	CASTER 4.0°	CAMBER - 0.25°	TOTAL TOE-IN + 0.25°
RANGE	3.55° to 4.45°	+ 0.15° to - 0.70°	0° to + 0.5°
MAX RT/LT DIFFERENCE	0.5°	0.5°	0.5°

REAR AXLE	SPECIFICATION		
PREFERRED	CAMBER -.25°	THRUST ANGLE 0°	TOTAL TOE-IN +.25°
RANGE	0° ± 0.5°	0° ± 0.25°	0° + 0.5°

TORQUE SPECS

FRONT TORQUE SPECIFICATIONS			REAR TORQUE SPECIFICATIONS		
DESCRIPTION	N·m	Ft. Lbs.	DESCRIPTION	N·m	Ft. Lbs.
Clevis Bracket to Lower Control Arm	169	125	Shock Absorber Upper Bolt	95	70
Hub Bearing Knuckle Bolts	136	100	Shock Absorber Lower Bolt	115	85
Lower Ball Joint Nut	95	70	Suspension Arms Lower Axle Bracket Nut	210	155
Lower Control Arm Bolt	142	105	Suspension Arms Lower Frame Bracket Nut	176	130
Lower Control Arm Bolt/Nut Front Pivot	169	125	Suspension Arms Upper Axle Bracket Nut	136	100
Shock Absorber Clevis Bracket	81	60	Suspension Arms Upper Frame Bracket Nut	129	95
Shock Absorber Upper Nuts	95	70	Track Bar to Axle	190	140
Stabilizer Bar Retainer Bolts	142	105	Track Bar to Rear Structure	190	140
Stabilizer Bar Link Upper Nut	135	100	Stabilizer Bar Retainer Bolts	46	34
Stabilizer Bar Link Lower Bolt	115	85	Stabilizer Link Nut to Stabilizer Bar	88	65
Upper Ball Joint Nut	75	55	Stabilizer Link to Body Bolt	102	75
Upper Control Arm Bolt/Nut to Body	122	90	Jounce Bumper Bolt to Body	54	40

WARNING

This vehicle has been modified to enhance its performance. The steering, braking and handling of this vehicle will differ from standard passenger cars and trucks. This vehicle handles differently from an ordinary vehicle in driving conditions which may occur on streets, highways and off road.

Avoid unnecessary abrupt maneuvers, sudden stops, sharp turns and other driving conditions that could cause loss of control, possibly leading to a roll over or other accident that could result in serious injury or death to driver and passengers.

If larger tires are installed the speedometer will read lower than the vehicles actual speed.

**DRIVE WITH CARE, REDUCE SPEED
AND WEAR SEAT BELTS AT ALL TIMES.**

This kit should be installed by a professional mechanic.

